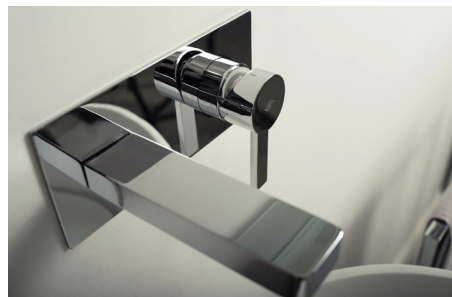


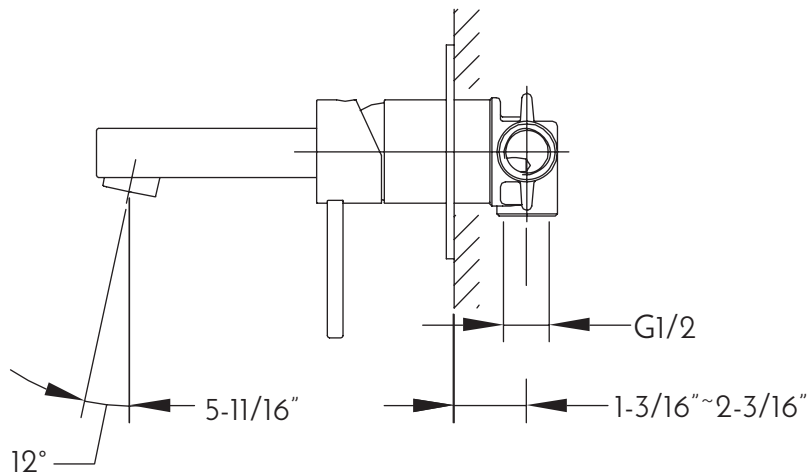


DAX-8287



BATHROOM FAUCETS SERIES





FEATURES

- Single Lever
- Wall mount
- Ceramic cartridge
- Brass body
- Chrome finish
- Hoses and mounting parts included
- Pop up drain not included (available)





BATHROOM FAUCET **DAX-8287**

MODEL	DAX-8287
ADA	NO
UPC APPROVED	NO
ANSI APPROVED	NO
ASME APPROVED	NO
WATERSENSE CERTIFIED	NO
NSF APPROVED	NO
CONNECTION SIZE	G3/8
FAUCET HOLE SIZE	1-3-8"
FAUCETS HOLE	3 Holes
NUMBER OF HANDLES	1
HEIGHT	3-9/16"
INSTALLATION TYPE	Deck mounted
MATERIAL	Brass
FINISH	Chrome
SPOUT SWIVEL	NO
SPOUT TYPE	Casting spout
CARTRIDGE TYPE	Ceramic
POP-IP INCLUDED	NO
MAX DECK THICKNESS	1-3/16" max



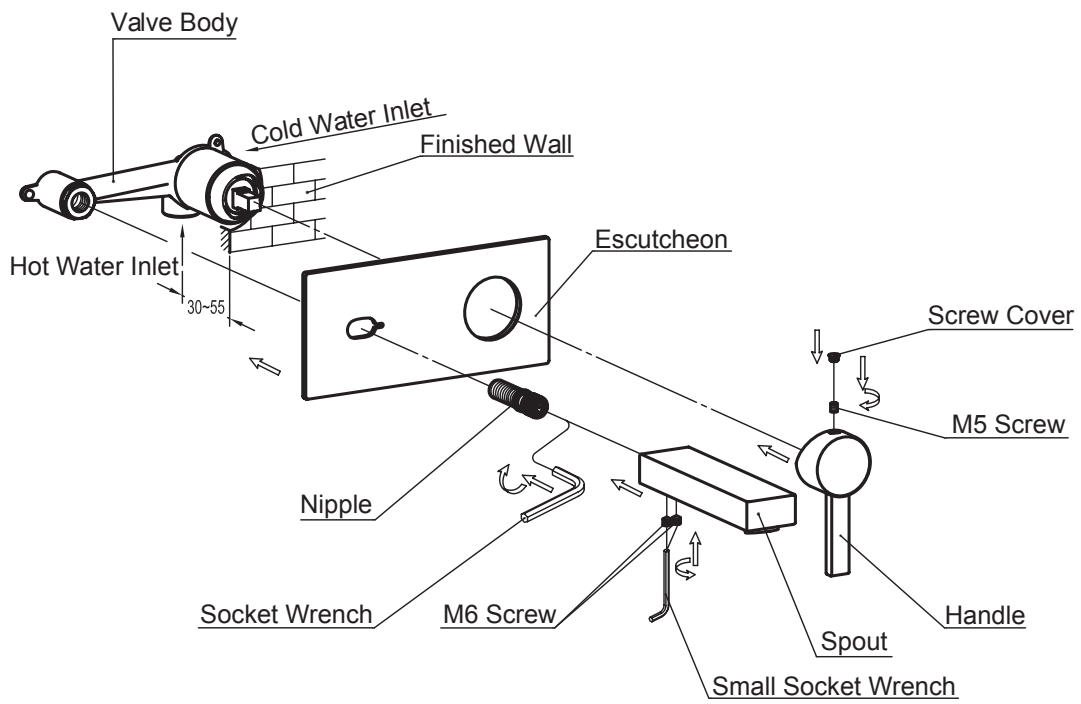
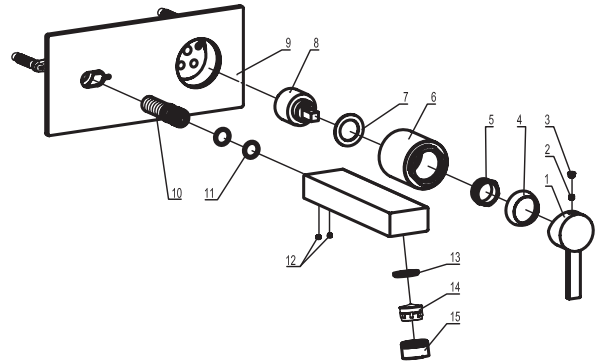




DIAGRAM NUMBER	DAX SKU	TITLE DESCRIPTION
1	FH D38-01C	Handle
2	FH TJ-30504	M5x4 Internal Hex flat end locking screw
3	FH D38A-02	Decoration cap
4	FH DB-06	Decorative ring
5	FH 8308-09	Locknut
6	FH 8308-02F	Cartidge sleeve
7	FH 8308-08	Rubber washer
8		€40 cartridge
9	FH 8289-02	Decorative cover
10	FH 8287-04	Spout connector
11	MF 1624	Ø11.3x2.4 "O" ring
12	FH TJ-30605	M6x5 Internal Hex flat end locking screw
13	FH TQ10-02	Spout washer
14	FH TQ-07G	M24 aerator
15	FH TQ15-01A	Spout outer collar



For parts or sale requirements please contact our customer service department:

 CS@daxib.com

 1 888 685 8236